

Before you get started...

We're confident you will be happy with your new Aspire bed frame.

However it is worth making sure before you unpack and start to put it together.

Please check the following:

CORRECT COLOUR

Please make sure you are happy with the colour. There is no need to fully unpack, please just check the first component.

PACKAGING

If you're satisfied, then its time to open. Start by laying out all components on the cardboard. This will prevent the fabric getting stained or scuffed.

COMPONENTS

Finally, double check your components page and ensure you have all parts listed.

Contact info: cs@aspire-furniture.co.uk 01484 949354

RETURNS

If you are not completely satisfied with the product, don't worry. We just need everything back in the original packaging.

INFORMATION

- Due to the size of this product we recommend that it is assembled in the room intended for use.
- When you are ready to start, make sure that you have the right tools, plenty of space and a clean, dry area for assembly.
- Unwrap all packaging materials and place the components on top of the carton box or on a clean floor to prevent it from scratching.
- Check the pack and make sure you have all the parts listed.
- Ensure that this product is fully assembled and secured as illustrated before use.
- Check all screws or bolts are tightened and inspect regularly.
- This product should only be used on firm, level ground.
- Please dismantle for transportation
- Only use the storage compartment when the frame is fully raised in the up position.
- Make sure the legs remain in contact with the ground.
- Keep small parts out of reach of children.
- Use caution when operating, this bed uses a pressured mechanism.
- Keep hands and fingers clear of the mechanism when opening and closing the bed for use.



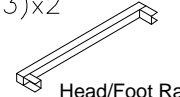

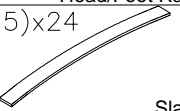
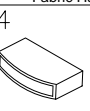

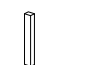

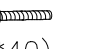


WARNINGS

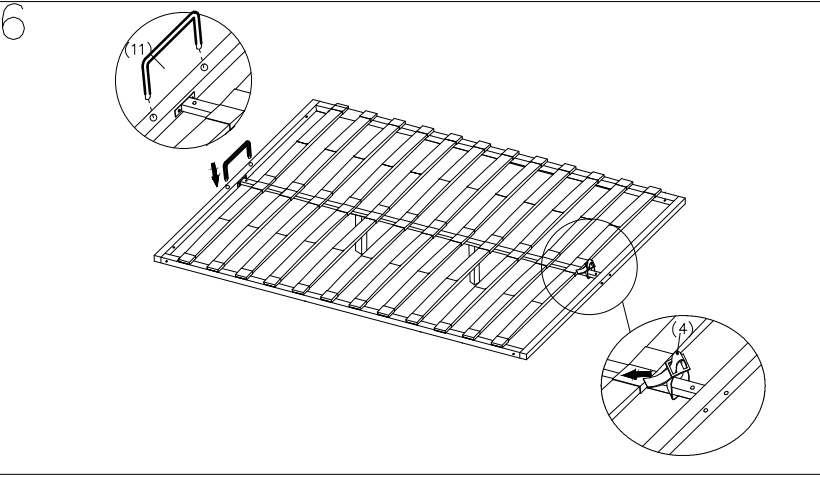
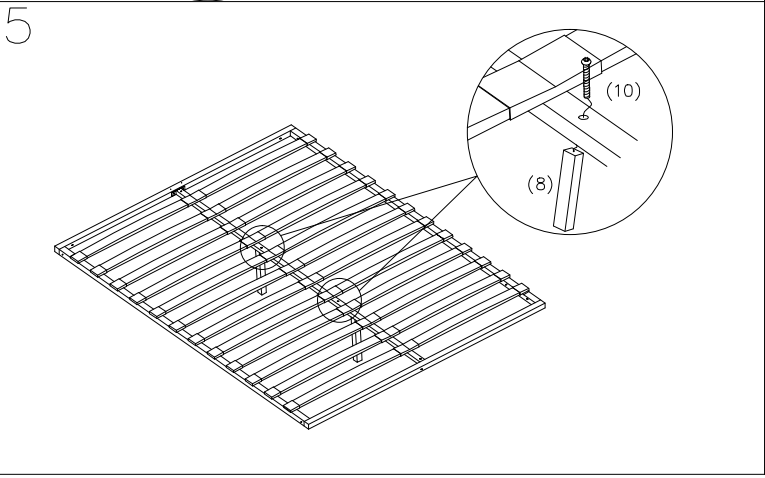
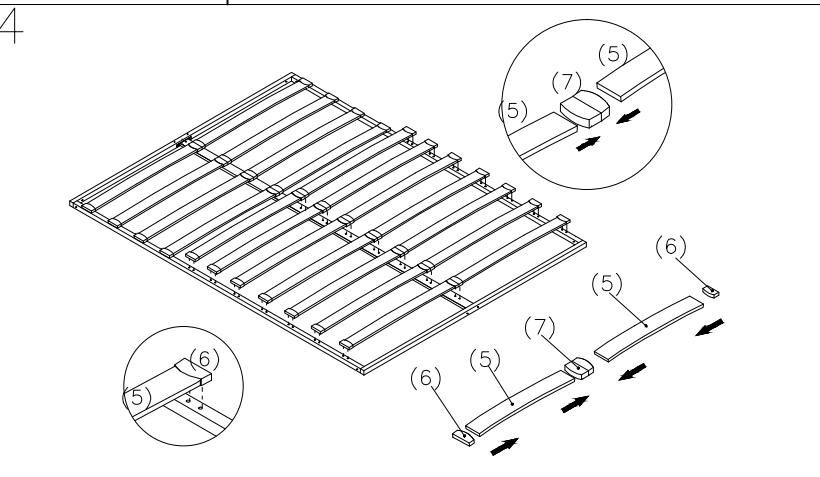
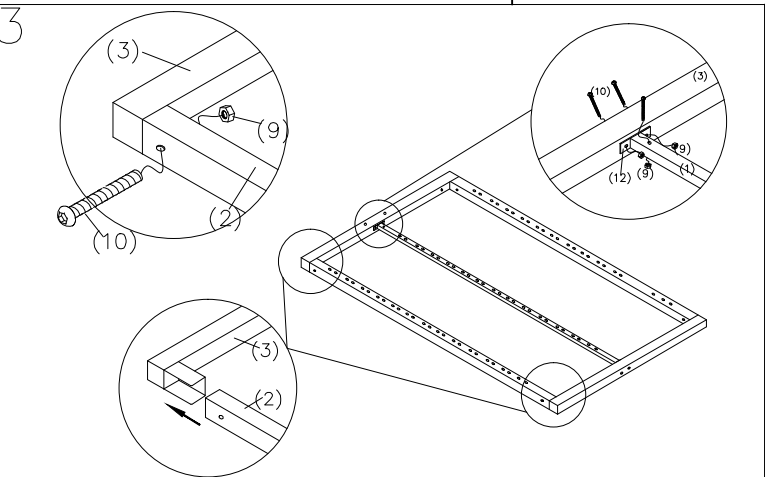
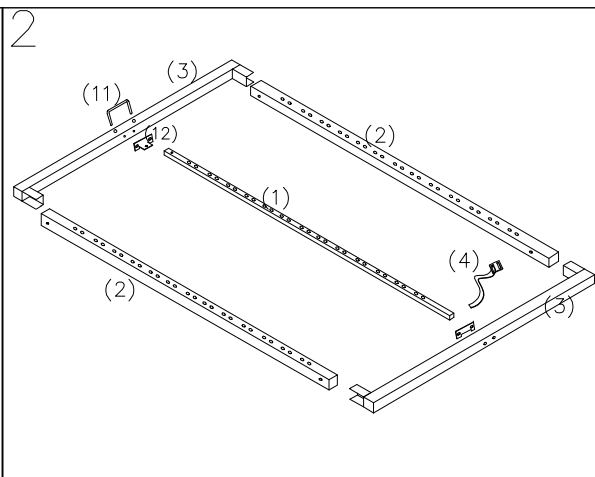
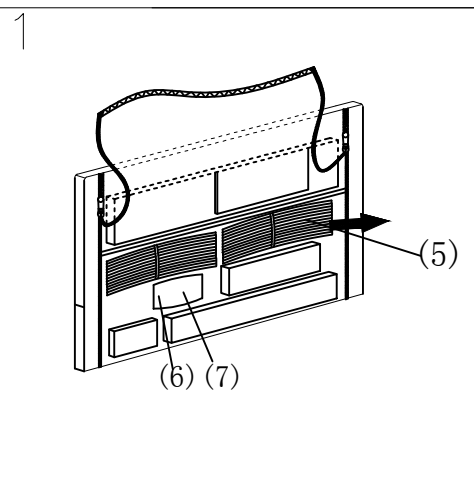
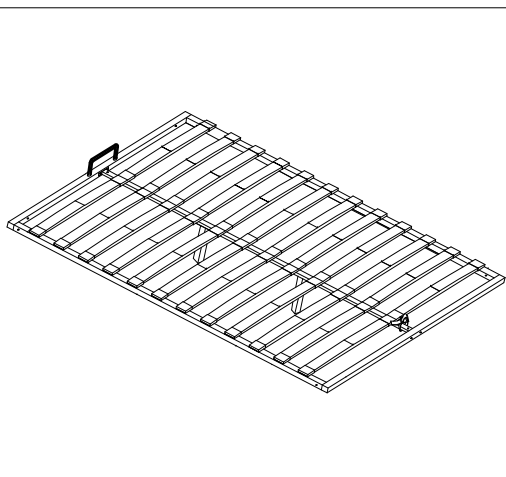
- **DO NOT** use power tools to construct this product.
- **DO NOT** tighten screws until fully assembled.
- **DO NOT** over tighten screws or bolts.
- **DO NOT** use this product if parts are missing, damaged or worn.
- **DO NOT** stand on the product.
- **DO NOT** remain on the bed whilst the lifting mechanism is in use.
- **DO NOT** expose this product to dripping or splashing, rain or areas with heavy moisture.
- **DO NOT** place any objects filled with liquids, such as vases, on the product.
- **DO NOT** insert foreign objects into the product or attempt to repair this unit by yourself.
- **DO NOT** place the product in direct sunlight, open flames such as candles or heat, such as radiators. Keep away from temperatures over 35oC.

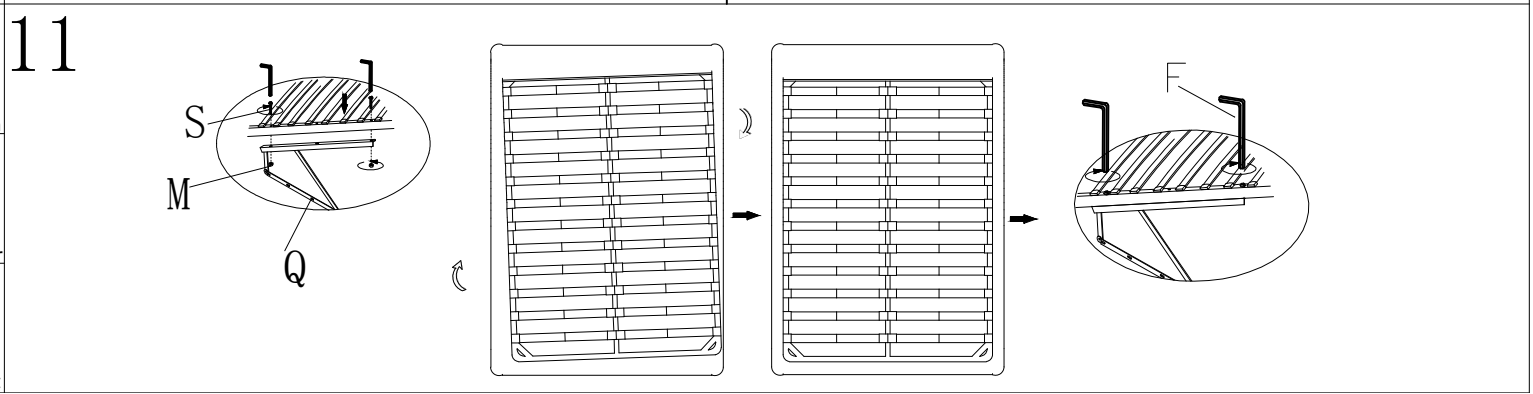
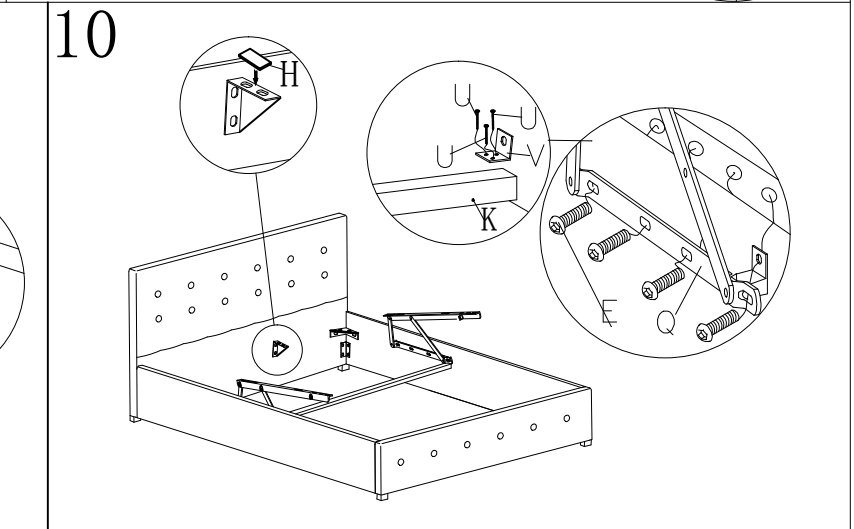
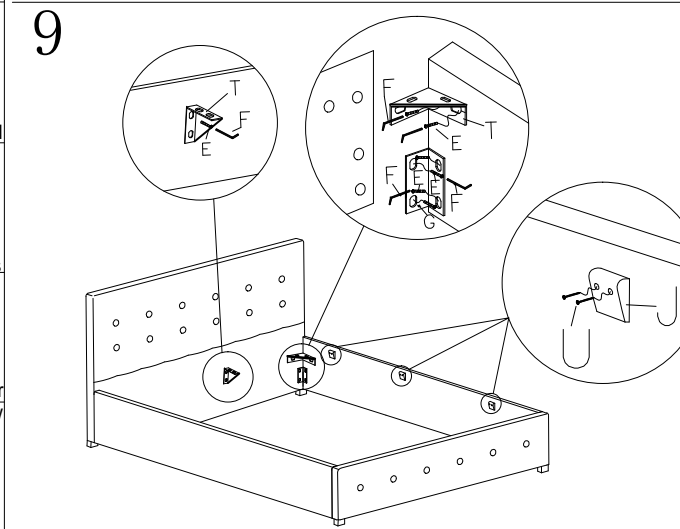
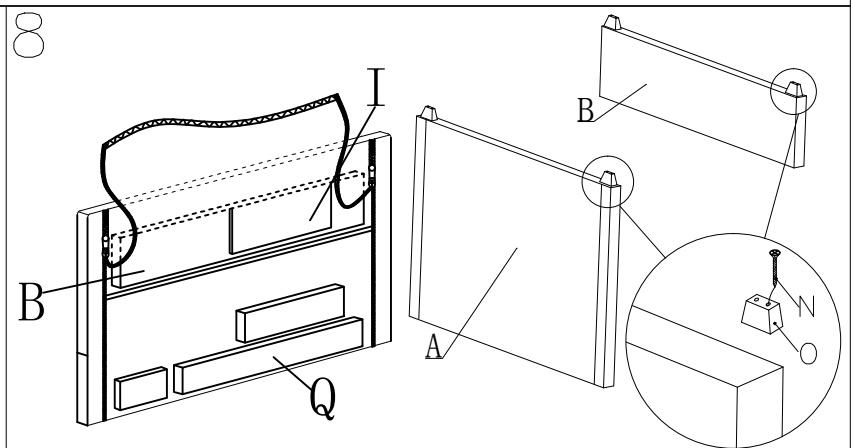
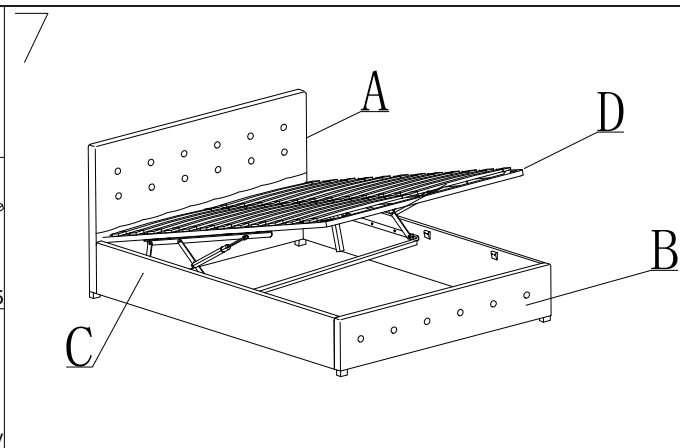
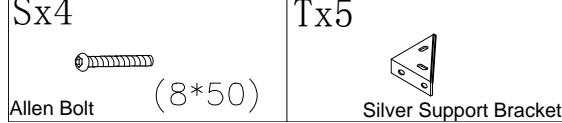
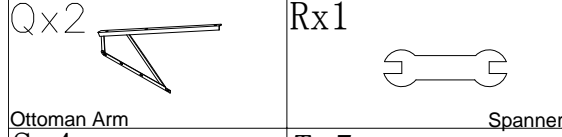
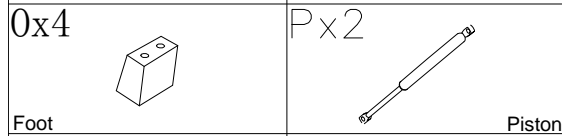
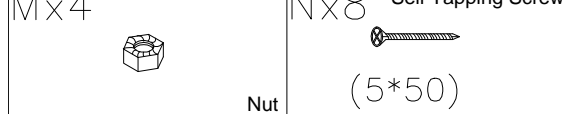
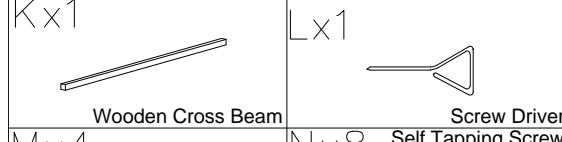
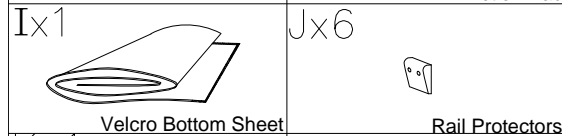
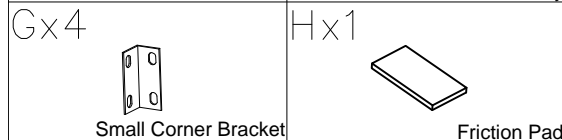
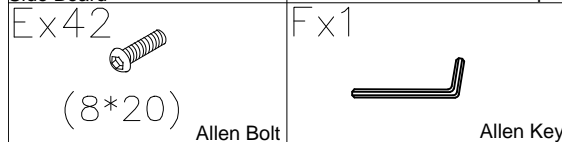
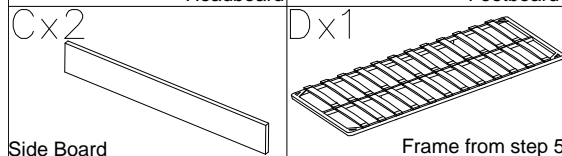
CARE INSTRUCTIONS



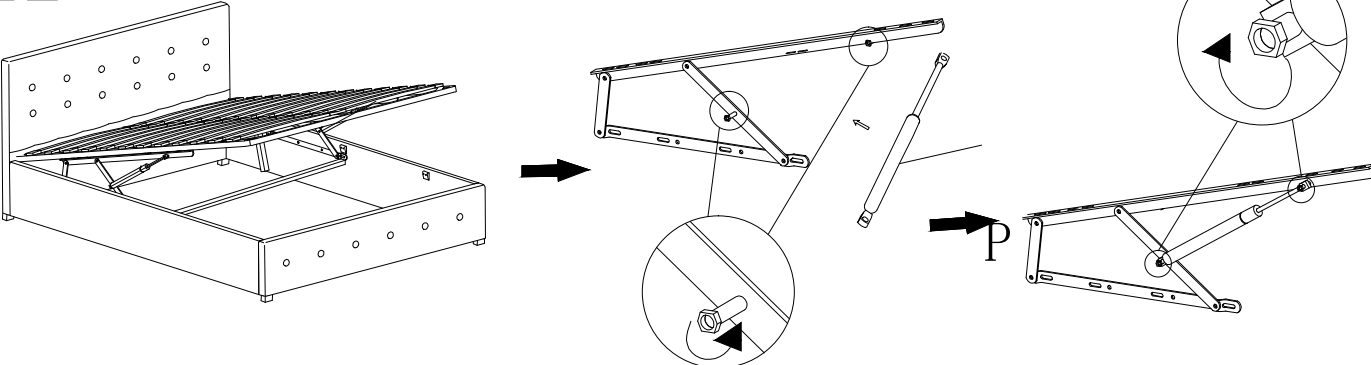
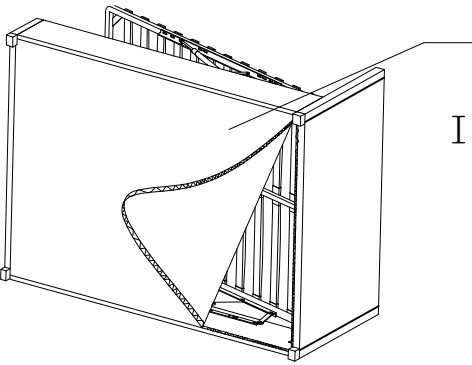
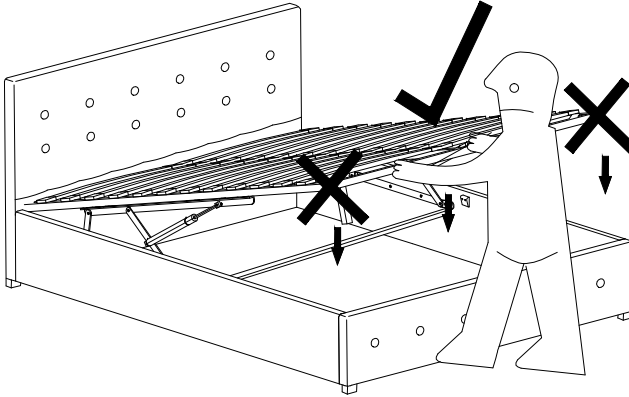
- Hair products such as hairsprays, oils and gels may affect the finish. Avoid prolonged contact with such products.
- Regular cleaning is essential to avoid build up of these products on the surface.
- Avoid exposure to direct or prolonged periods of sunlight and position away from direct heat sources such as radiators.
- Care should be taken to avoid spilling anything on the upholstery. If a spillage occurs act promptly and soak up any liquids by blotting with a clean absorbent cloth. Never rub to remove stains. Never use a wet cloth.
- If a spillage does occur, blot any liquids immediately with a clean, dry absorbent cloth and allow to dry naturally.
- For more stubborn stains a professional upholstery cleaner should be consulted.
- Clean periodically in situ using a professional cleaning company.
- Do not drag the frame across the floor.
- All assembly fixings should always be tightened properly and periodically check all fixings and tighten if necessary.

190cm

- (1)x1 
- (2)x2 
- (3)x2 
- (4)x1 
- (5)x24 
- (6)x24 
- (7)x12 
- (8)x2 
- (9)x10 
- (10)x12 
- (11)x1 
- (12)x2 





<p>Ux18 Self Tapping Screw (3*20)</p> 	<p>Vx2 Cross Beam Bracket</p> 	<h2 style="text-align: left;">12</h2> 	
		<h2 style="text-align: left;">13</h2> 	<h2 style="text-align: left;">14</h2> 

***When in use only lift and push the Slat Frame Mechanism from the centre of the Slat Frame ***

Only operate ottoman mechanism with mattress in place

If pistons wear out, do not operate. Please contact us for further information

cs@aspire-furniture.co.uk